

NOTES:

1. MATERIALS & FINISHES:

- BODY - BRASS, GOLD PLATING (.000030 MIN.)
- CONTACT - BRASS, GOLD PLATING (.000030 MIN.)
- INSULATOR - LCP, NATURAL

2. ELECTRICAL:

- A. IMPEDANCE : 50 OHM
- B. FREQUENCY RANGE : DC - 10 GHz
- C. CONNECTOR ONLY VSWR: 1.15:1 MAX AT DC - 10 GHz
- D. DIELECTRIC WITHSTANDING VOLTAGE : 500 VRMS, MIN.
- E. INSULATION RESISTANCE : 1,000 MEGOHMS MIN.

3. MECHANICAL:

- A. DURABILITY: 100 CYCLES MIN.
- B. TEMPERATURE RANGE: -65°C TO +165°C

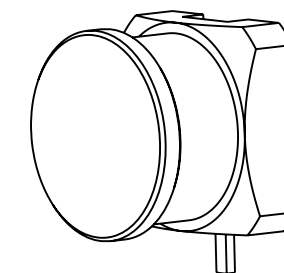
4. PACKAGING:

- A. QUANTITY: 50 PCS/TRAY
- B. MARKING: TRAY TO BE MARKED:
"AMPHENOL RF, 925-143J-51P, AND DATE CODE"

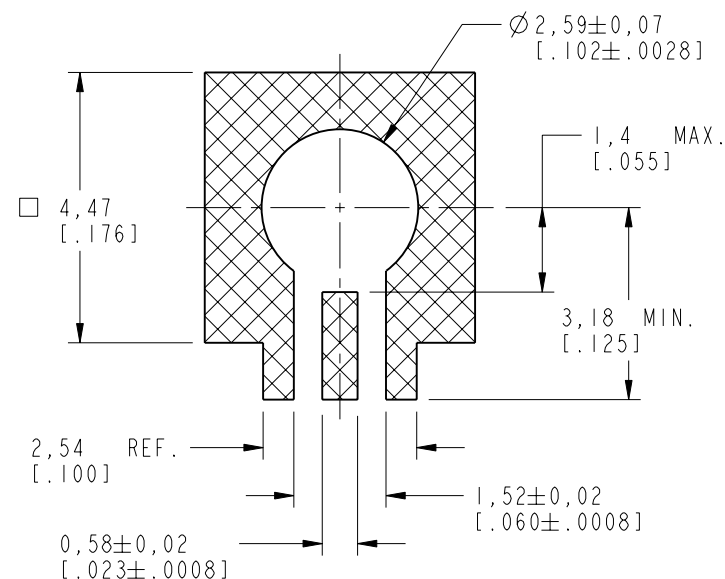
THIRD ANGLE PROJ.

REVISIONS

REV	DESCRIPTION	DATE	ECN	APPR
A	RELEASE TO MFG.	05-JAN-17	02703	MZ
B	FREQUENCY UPDATED	29-Nov-18	09761	FW



SCALE 7.000

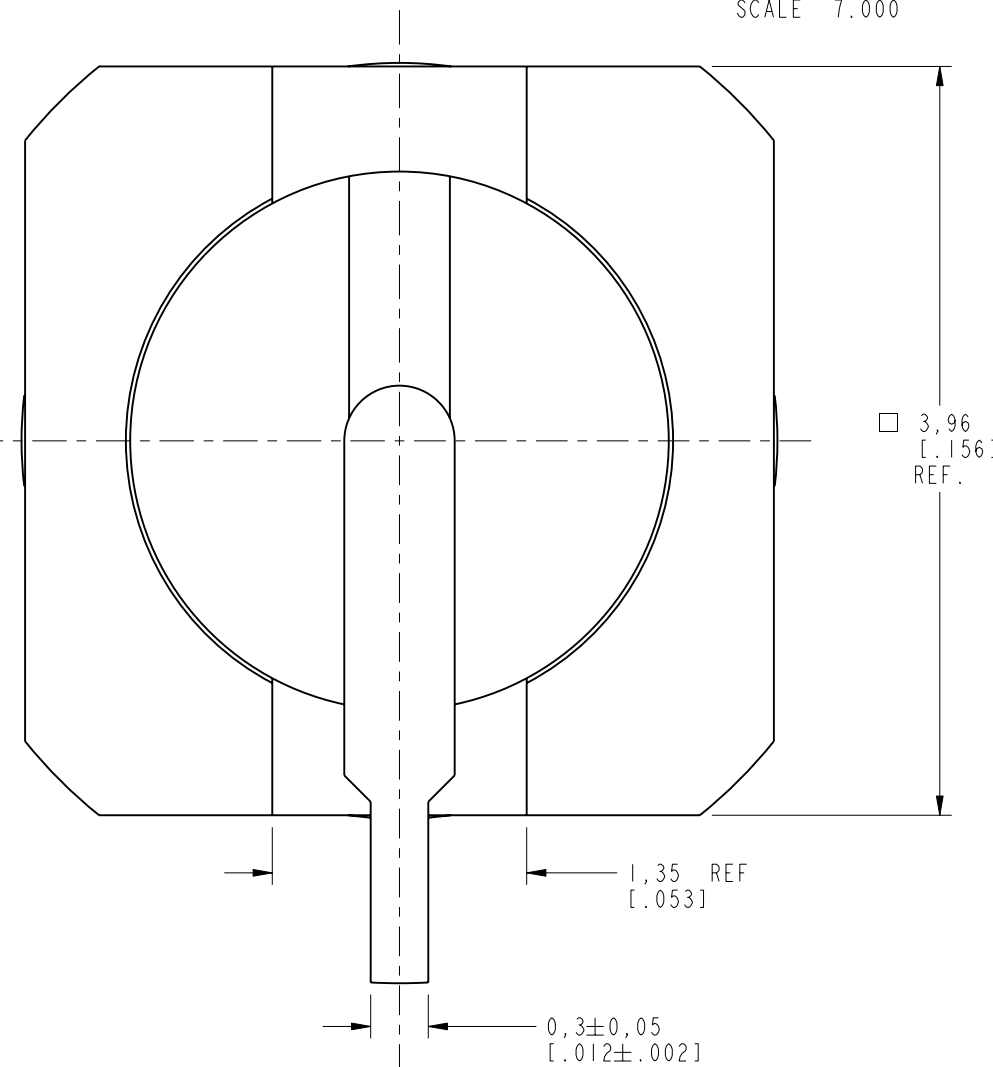
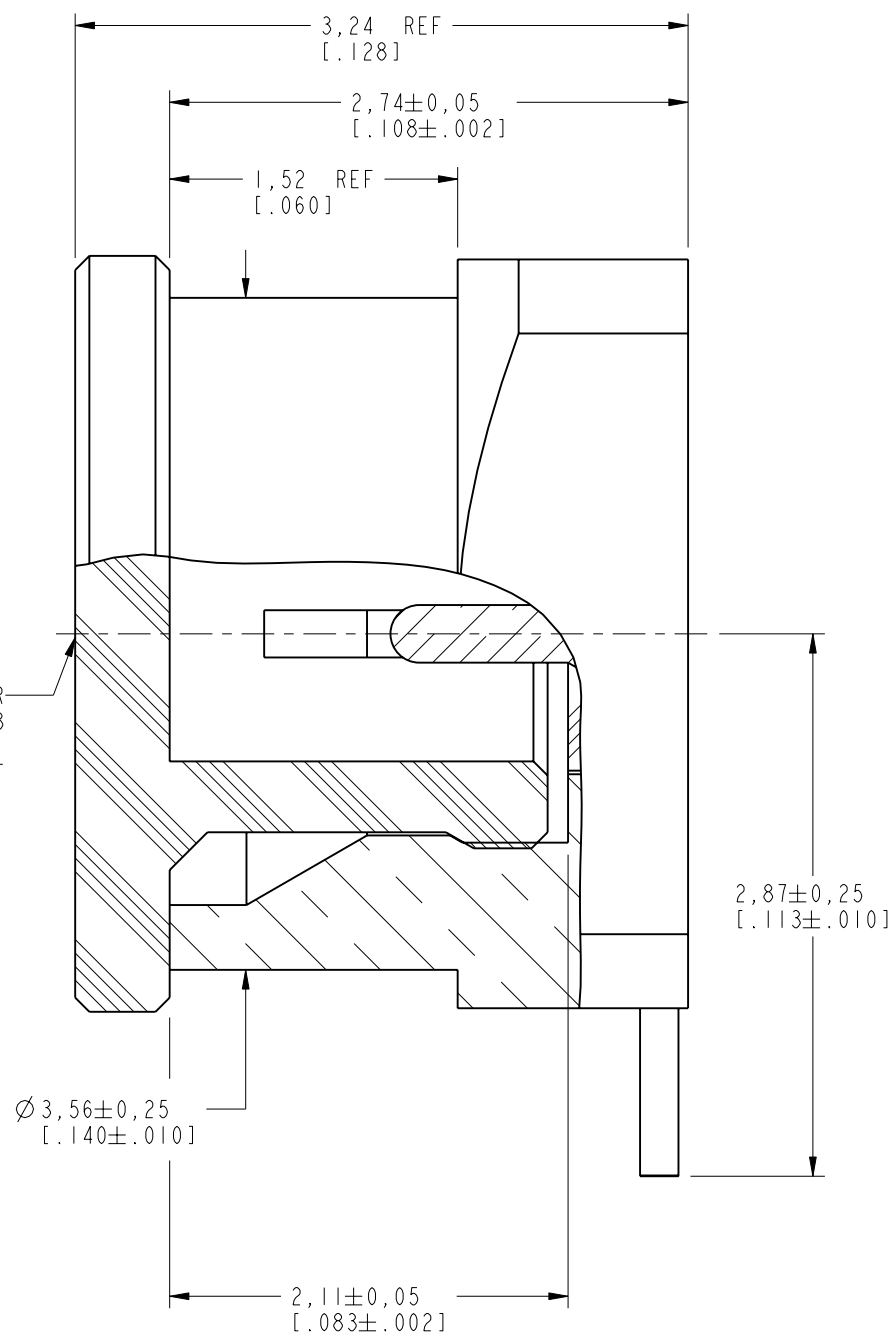


RECOMMENDED PCB LAYOUT

DESIGNED FOR USE WITH 0.25 MM [.010]" THICK ROGERS 4350 PCB MATERIAL

THESE DIMENSIONS MAY VARY DEPENDING ON PCB MATERIAL USED

INTERFACE PER MIL-STD-348 SERIES: SMPM JACK, FULL DETENT



CUSTOMER OUTLINE DRAWING

ALL OTHER SHEETS ARE FOR INTERNAL USE ONLY

UNLESS OTHERWISE SPECIFIED, DIMENSIONS ARE IN METRIC AND TOLERANCES ARE:
 <0.5mm ± 0.05mm 0.5 - 6mm ± 0.1mm 6 - 30mm ± 0.2mm 30 - 120mm ± 0.3mm ANGLES ± 1°

NOTICE - These drawings, specifications, or other data (1) are, and remain the property of Amphenol corp. (2) must be returned upon request; and (3) are confidential and not to be disclosed to any person other than those to whom they are given by Amphenol Corp. the furnishing of these drawings, specifications, or other data by Amphenol Corp., or to any other person to anyone for any purpose is not to be regarded by implication or otherwise in any manner licensing, granting rights to permitting such holder or any other person to manufacture, use or sell any product, process or design, patented or otherwise, that may in any way be related to or disclosed by said drawings, specifications, or other data.

MATERIAL	SEE NOTES
REFERENCE	EAR# 5317
REF:	
CONFIGURATION LEVEL:	In Work
FINISH	

DRAWN	M. ZHANG	DATE	29-Nov-18
ENGINEER	E WANKOFF	DATE	20-Feb-13
APPROVED	F. WANG	DATE	29-Nov-18
CAD FILE			

TITLE	SMPM STR JACK, FULL DETENT, SURFACE MOUNT	
SCALE:	25.0:1.0	SHEET 2 OF 2
DWG SIZE	B	REV B

Amphenol RF	
www.amphenolrf.com	
DRAWING NO.	925-143J-51P
ITEM NO.	925-143J-51P
PART NO.	925-143J-51P